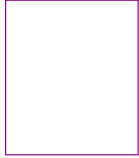
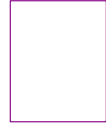


MCU

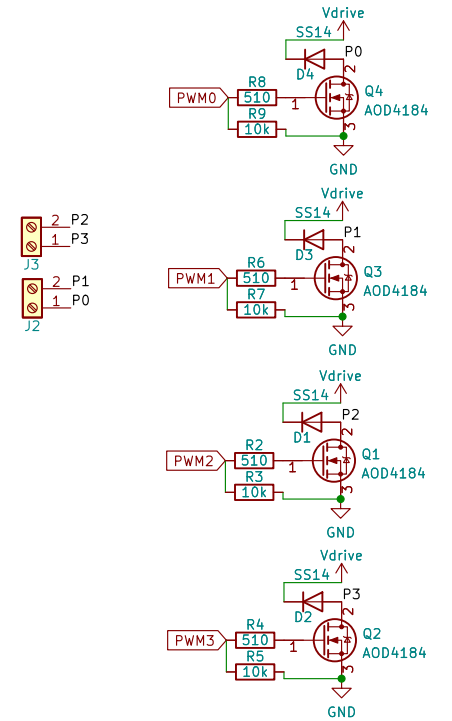


File: MCU.kicad_sch

Power



File: power.kicad_sch



Gate charge time through 510ohm is 1mks.
Recommended PWM frequency < 2kHz.

- H1 MountingHole
- H3 MountingHole
- H2 MountingHole
- H4 MountingHole

